

VISIONLINE

A range of Linear LED strip lighting for both interior and exterior use.

Designed and Manufactured in Australia using high quality LED's, Visionline can be utilised in many applications both commercially and residentially.

With an average rated life of 50,000 hrs, Visionline operates on a 24v DC constant voltage supply, and incorporates a continuous heat sink design allowing the system to operate at near ambient temperatures.

Visionline can be supplied in custom lengths of up to 6.5 metres to meet all design and on site requirements whilst reducing installation costs.

Applications include cove lighting, display cabinets, under kitchen benches, overhead cupboards, walk in robes, book shelves, and much more. Produced in two forms, Visionline has been designed to be both aesthetically pleasing and very easy to install. Finished in natural anodised, the system is supplied as standard with a clear or opal protective cover lens. Visionline is backed by a 2 year warranty.



VL26 - SURFACE MOUNTED

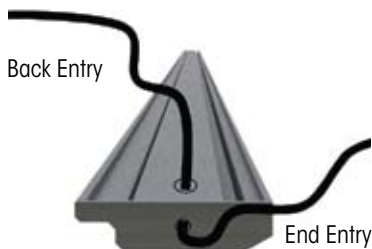


VL26 - SEMI-RECESSED



VL26 - RECESSED

VL38 - 38mm wide x 9.5mm high
VL26 - 26mm wide x 12.5mm high



VL38

AVAILABLE OPTIONS

MADE IN ANY LENGTH UP TO 6500MM

VL26 - Low Output 3000K , 4000K and 6000K (5.7w)

VL26 - High Output 3000K , 4000K and 6000K (8.7w)

VL26 - Very High Output 3000K , 4000K and 6000K (12w)

VL26 - Red, Blue, Green and Amber

VL26 - RGB

VL26 - IP65 3000K, 4000K and 6000K

VL26 - IP65 RGB

VL38 - Low Output 3000K , 4000K and 6000K (5.7w)

VL38 - High Output 3000K , 4000K and 6000K (8.7w)

VL38 - Very High Output 3000K , 4000K and 6000K (12w)

VL38 - Red, Blue, Green and Amber

VL38 - RGB

VL38 - IP65 3000K, 4000K and 6000K

VL38 - IP65 RGB



Default cable entry is through end cap on RHS.

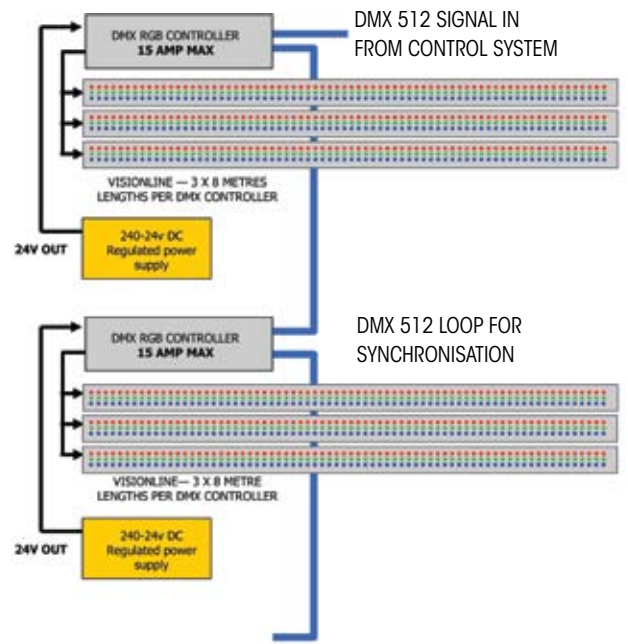


ADELAIDE FRESH, NEWTON, SA



AVAILABLE OPTIONS

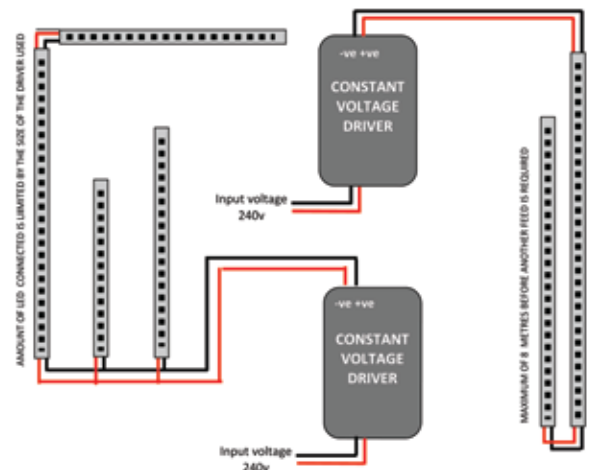
- SO - STANDARD OUTPUT
- HO - HIGH OUTPUT
- WW - WARM WHITE 3000K
- NW - NEUTRAL WHITE 4000K
- CW - COOL WHITE 6000K
- OP - OPAL LENS
- D1 - DALI DIM
- D2 - PUSH DIM
- D3 - 1-10V DIM
- D4 - PHASE DIM [TRAILING EDGE]
- D5 - DSI DIM
- D6 - DMX
- B - BLUE LEDS
- R - RED LEDS
- G - GREEN LEDS
- A - AMBER LEDS
- LHS/E - CABLE FEED THROUGH LHS END CAP
- LHS/B - CABLE FEED THROUGH LHS BACKPLATE
- RHS/E - CABLE FEED THROUGH RHS END CAP
- RHS/B - CABLE FEED THROUGH RHS BACKPLATE



TYPICAL CONTROL OF RGB STRIP

EXAMPLE - VL38-HO-WW-D1-LHS/E

VL system in high output with Dali Dimming and Power Entry on LHS through endcap



EXAMPLE - LCD STRIP CONNECTIONS



**NOW
OPEN**

YUNG SING EXPRESS BEDFORD PARK SA
VL38 RED LED STRIP IN BAR & OUTSIDE PELMET