

# LEDION overview

Ledion Lighting, Inc. is a professional company dedicated to creating sophisticated solid state lighting (SSL) products with the latest innovation in power LED technology. Ledion Lighting products are available in a wide variety of colour temperatures and beam pattern options with an efficacy and aesthetics to satisfy even the most demanding lighting scenarios. With proficiency in power LED, optics design, and thermal engineering, all Ledion Lighting products are highly integrated and carry the highest industry standards in performance, reliability, and safety.

The Ledion range of down lights which now include a 7 watt (TD20), 10 watt (TD26), 15 watt (TD36) and 15 watt (TD32) all integrate the electrical, optical and thermal management systems required by LED's for optimal performance, whilst maintaining a low profile design.

Features and benefits include:

- Solid State Technology
- Full Photometric .ies files available
- Decreased Energy Consumption
- Reduced Co2 Emissions
- Superior Light Quality
- Standard non-dim driver manufactured to Military Spec, with in-built anti vibration resistance properties
- Low Profile Design
- 2 year Warranty
- 3 Colour temperatures, 3000K Warm White, 4000K Neutral White and 6000K Cool White
- CRI values of between 75/85
- Beam Spread from 25-140 Degrees
- Surface Mount Kit accessory available
- IP44 Rated
- Fully Dimmable via Dali Dim, Push Dim, 1-10v Dim, Phase Dim (trailing edge) Drivers
- Easily integrated with any Home Automation or Energy Management System.
- 12v and 24v DC versions available (battery back-up options available)
- Meets the requirements of Green Star and the BCA
- Average rated life of 30,000 - 50,000 hrs
- Thermally designed to maintain an ideal LED chip junction temperature





CLASSIQUE CONCEPT SHOWROOM & C-IQUE DESIGN BAR - SURRY HILLS NSW

## TD20 [7 watt]

### FIXED

TD20F-38-WW	38 DEGREE WARM WHITE	3000K
TD20F-60-WW	60 DEGREE WARM WHITE	3000K
TD20F-38-NW	38 DEGREE NEUTRAL WHITE	4000K
TD20F-60-NW	60 DEGREE NEUTRAL WHITE	4000K
TD20F-38-CW	38 DEGREE COOL WHITE	6000K
TD20F-60-CW	60 DEGREE COOL WHITE	6000K

### ADJUSTABLE

TD20A-38-WW	38 DEGREE WARM WHITE	3000K
TD20A-60-WW	60 DEGREE WARM WHITE	3000K
TD20A-38-NW	38 DEGREE NEUTRAL WHITE	4000K
TD20A-60-NW	60 DEGREE NEUTRAL WHITE	4000K
TD20A-38-CW	38 DEGREE COOL WHITE	6000K
TD20A-60-CW	60 DEGREE COOL WHITE	6000K

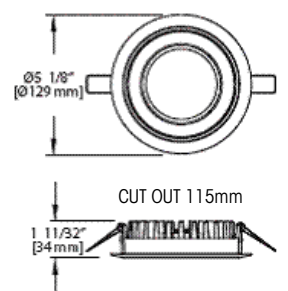
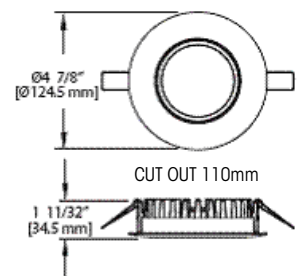
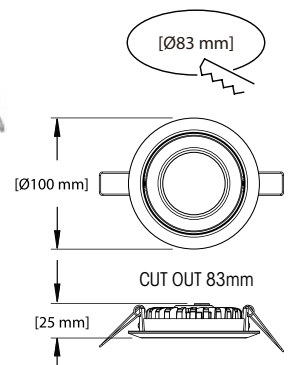
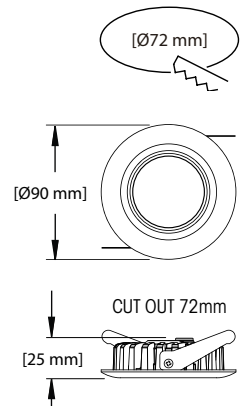
## TD36 [15 watt]

### FIXED

TD36F-38-WW	38 DEGREE WARM WHITE	3000K
TD36F-60-WW	60 DEGREE WARM WHITE	3000K
TD36F-38-NW	38 DEGREE NEUTRAL WHITE	4000K
TD36F-60-NW	60 DEGREE NEUTRAL WHITE	4000K
TD36F-38-CW	38 DEGREE COOL WHITE	6000K
TD36F-60-CW	60 DEGREE COOL WHITE	6000K

### ADJUSTABLE

TD36A-38-WW	38 DEGREE WARM WHITE	3000K
TD36A-60-WW	60 DEGREE WARM WHITE	3000K
TD36A-38-NW	38 DEGREE NEUTRAL WHITE	4000K
TD36A-60-NW	60 DEGREE NEUTRAL WHITE	4000K
TD36A-38-CW	38 DEGREE COOL WHITE	6000K
TD36A-60-CW	60 DEGREE COOL WHITE	6000K



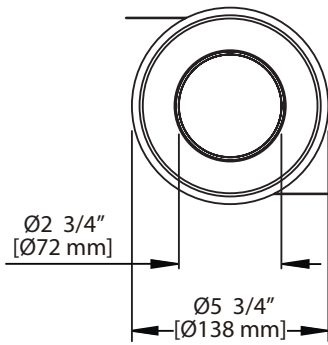
38 DEGREE



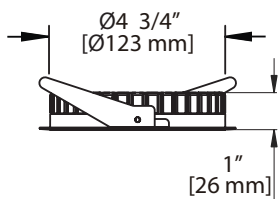
60 DEGREE



140 DEGREE DISH LENS



CUT OUT 128mm



25 DEGREE



40 DEGREE

## TD26-LTR [7 watt low temperature rise]

[ALLOWS FIXTURE TO OPERATE AT 20 DEGREES ABOVE AMBIENT]

TD26-25-WW-7	25 DEGREE WARM WHITE 3000K
TD26-40-WW-7	40 DEGREE WARM WHITE 3000K
TD26-60-WW-7	60 DEGREE WARM WHITE 3000K
TD26-140-WW-7	140 DEGREE WARM WHITE 3000K
TD26-25-NW-7	25 DEGREE NEUTRAL WHITE 4000K
TD26-40-NW-7	40 DEGREE NEUTRAL WHITE 4000K
TD26-60-NW-7	60 DEGREE NEUTRAL WHITE 4000K
TD26-140-NW-7	140 DEGREE NEUTRAL WHITE 4000K
TD26-25-CW-7	25 DEGREE COOL WHITE 6000K
TD26-40-CW-7	40 DEGREE COOL WHITE 6000K
TD26-60-CW-7	60 DEGREE COOL WHITE 6000K
TD26-140-CW-7	140 DEGREE COOL WHITE 6000K

## TD26 [10 watt]

TD26-25-WW	25 DEGREE WARM WHITE 3000K
TD26-40-WW	40 DEGREE WARM WHITE 3000K
TD26-60-WW	60 DEGREE WARM WHITE 3000K
TD26-140-WW	140 DEGREE WARM WHITE 3000K
TD26-25-NW	25 DEGREE NEUTRAL WHITE 4000K
TD26-40-NW	40 DEGREE NEUTRAL WHITE 4000K
TD26-60-NW	60 DEGREE NEUTRAL WHITE 4000K
TD26-140-NW	140 DEGREE NEUTRAL WHITE 4000K
TD26-25-CW	25 DEGREE COOL WHITE 6000K
TD26-40-CW	40 DEGREE COOL WHITE 6000K
TD26-60-CW	60 DEGREE COOL WHITE 6000K
TD26-140-CW	140 DEGREE COOL WHITE 6000K

## TD32-LTR [10 watt]

[ALLOWS FIXTURE TO OPERATE AT 25 DEGREES ABOVE AMBIENT]

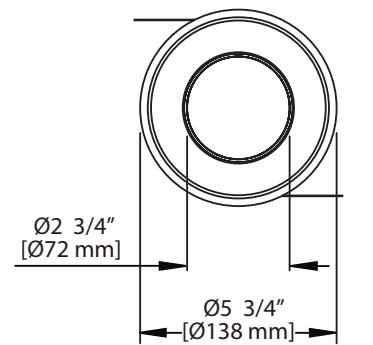
TD32-25-WW-10	25 DEGREE WARM WHITE 3000K
TD32-40-WW-10	40 DEGREE WARM WHITE 3000K
TD32-60-WW-10	60 DEGREE WARM WHITE 3000K
TD32-140-WW-10	140 DEGREE WARM WHITE 3000K
TD32-25-NW-10	25 DEGREE NEUTRAL WHITE 4000K
TD32-40-NW-10	40 DEGREE NEUTRAL WHITE 4000K
TD32-60-NW-10	60 DEGREE NEUTRAL WHITE 4000K
TD32-140-NW-10	140 DEGREE NEUTRAL WHITE 4000K
TD32-25-CW-10	25 DEGREE COOL WHITE 6000K
TD32-40-CW-10	40 DEGREE COOL WHITE 6000K
TD32-60-CW-10	60 DEGREE COOL WHITE 6000K
TD32-140-CW-10	140 DEGREE COOL WHITE 6000K

## TD32 [15 watt]

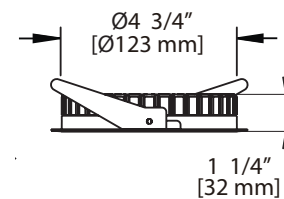
TD32-25-WW	25 DEGREE WARM WHITE 3000K
TD32-40-WW	40 DEGREE WARM WHITE 3000K
TD32-60-WW	60 DEGREE WARM WHITE 3000K
TD32-140-WW	140 DEGREE WARM WHITE 3000K
TD32-25-NW	25 DEGREE NEUTRAL WHITE 4000K
TD32-40-NW	40 DEGREE NEUTRAL WHITE 4000K
TD32-60-NW	60 DEGREE NEUTRAL WHITE 4000K
TD32-140-NW	140 DEGREE NEUTRAL WHITE 4000K
TD32-25-CW	25 DEGREE COOL WHITE 6000K
TD32-40-CW	40 DEGREE COOL WHITE 6000K
TD32-60-CW	60 DEGREE COOL WHITE 6000K
TD32-140-CW	140 DEGREE COOL WHITE 6000K



140 DEGREE DISH LENS



CUT OUT 128mm



60 DEGREE

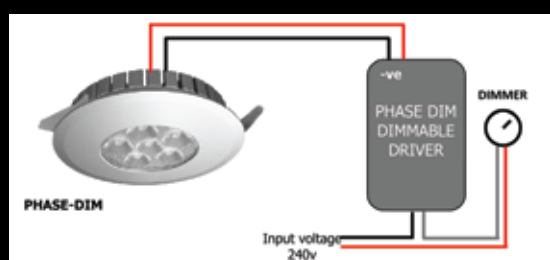
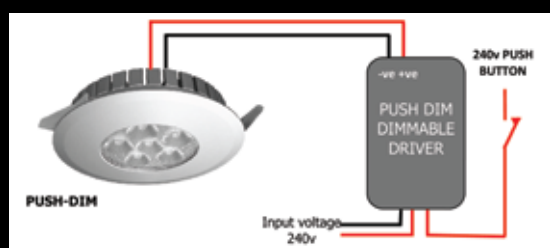


140 DEGREE



# AVAILABLE OPTIONS

- D1 – DALI DIM
- D2 – PUSH DIM
- D3 – 1-10V DIM
- D4 – PHASE DIM [TRAILING EDGE]
- D5 – DSI DIM
- D6 – DMX
- 12V – WITH 12V DRIVER
- 24V – WITH 24V DRIVER
- WH – WHITE TRIM
- SL – SILVER TRIM
- CXX – CUSTOM COLOUR
- B – BLUE LEDS
- R – RED LEDS
- G – GREEN LEDS
- A – AMBER LEDS
- 7 – 7 WATT OPTION
- 10 – 10 WATT OPTION
- DBA – DEEP BAFFLE ADAPTOR
- STA – SQUARE TRIM ADAPTOR
- RTR – ROTATE TILT ROUND FRAME
- RTS – ROTATE TILT SQUARE FRAME
- SM-RTR – ROUND SURFACE MOUNT KIT [TD26/TD32]
- SM-RTS – SQUARE SURFACE MOUNT KIT [TD26/TD32]



## **DBA [Deep Baffle Recessed Kit – Round]**

Add a prefix DBA for addition of 35mm deep baffle to any TD20A or TD36A fixture



125mm D x 60mm H cutout 115mm  
155mm x D x 70mm x H cutout 145mm

## **SPA [Square Trim Adaptor Kit]**

Add prefix STA for addition of square trim adaptor to any TD20A OR TD36A fixture



SPA-20 120mm L x 120mm W  
SPA-36 150mm L x 150mm W

## **RTR [Factory Fitted Rotate and Tilt Kit]**

Add prefix RTR for conversion of any TD26 or TD32 fixture to round rotate and tilt



180mm D x 70mm H cutout 165mm

## **RTS [Factory Fitted Rotate and Tilt Kit]**

Add prefix RTS for conversion of any TD26 or TD32 fixture to square rotate and tilt. Also available in double and triple configuration



175mm L x 175mm W x 70mm H cutout 160mm

## **SM-RTR [Surface Mount Kit - Round]**

Add prefix SM-RTR for conversion of any TD26 or TD32 fixture to surface mount



180mm D x 102mm H

## **SM-RTS [Surface Mount Kit - Square]**

Add prefix SM-RTS for conversion of any TD26 or TD32 fixture to surface mount

NOTE! For integral driver applications the TD26-LTR or TD32-LTR fixture should be used



175mm L x 175mm W x 102mm H



ADELAIDE ZOO SA - ENTRANCE

# LHB LOW BAY / HIGH BAY / RECESSED DOWN LIGHT

A Superb high performance fixture suited to many interior and exterior applications. The perfect option for projects where energy savings are a key consideration. Providing a long life, maintenance free solution, this product comes with the exclusive backing of LEDION, the manufacturers of the TD range of LED Downlights.

## FEATURES:

- Solid State Lighting Technology
- Superior Quality Light
- Reduced CO Emission
- Energy Saving (50W/100W) versions available
- Instant start & re-strike
- Reduced wiring/installation costs
- Ecologically Friendly
- Long life
- IP65 rated
- Fully photometric .ies files available
- 40°, 60°, 90° & 120° beam spread options

## LHB-50 [50 watt]

LHB-50-WARM WHITE [3200K]

LHB-50-NEUTRAL WHITE [4000K]

LHB-50-COOL WHITE [6000K]

## LHB-100 [100 watt]

LHB-100-WARM WHITE [3200K]

LHB-100-NEUTRAL WHITE [4000K]

LHB-100-COOL WHITE [6000K]

## LHB-120 [120 watt]

LHB-120-WARM WHITE [3200K]

LHB-100-NEUTRAL WHITE [4000K]

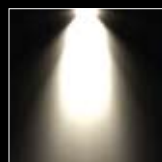
LHB-100-COOL WHITE [6000K]

## AVAILABLE OPTIONS

AR - ALUMINIUM REFLECTOR

CUSTOM RELECTOR TRIMS AVAILABLE, PLEASE CONTACT YOUR LOCAL AGENTS

LHB-RMF – RECESSING TRIM DIMMING OPTION – (IN DEVELOPMENT)



40 DEGREE



60 DEGREE



90 DEGREE



120 DEGREE



LHB-50/100/120

175mm L x 175mm W x 250mm H

CUTOUT 160

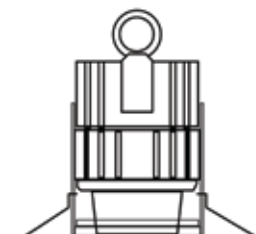


LBH-50DL

175mm L x 175mm W x 200mm H



HIGHBAY LESS REFLECTOR



RECESSED DOWNLIGHT