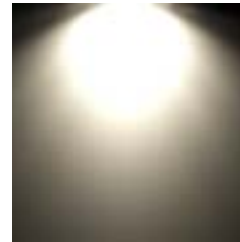


D4, D6, D8 [15/25/50w]

New "D" series of medium to high wattage LED downlights from LEDION provide a viable solution over conventional light sources in commercial applications. Other than the obvious energy and greenhouse gas reductions major saving are available to owner/operators in the form of labour and on going replacement lamp costs.

FEATURES:

- LED lumen packages from 760-3300 lumens
- Highly efficient reflector design (smooth wide beam optics)
- Sealed and gasketed IP66 optical chamber from below



D4 [15watt]

FIXED

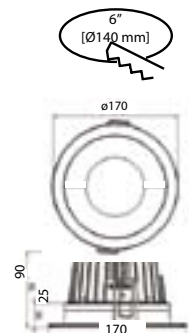
| | |
|------------|---|
| D4F-120-WW | 120 DEGREE 12.5W WARM WHITE LED 3000K |
| D4F-120-NW | 120 DEGREE 12.5W NEUTRAL WHITE LED4000K |
| D4F-120-CW | 120 DEGREE 12.5W COOL WHITE LED 6000K |



D6 [25watt]

FIXED

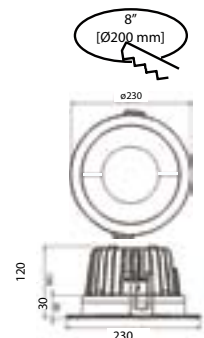
| | |
|------------|--|
| D6F-120-WW | 120 DEGREE 21.5W WARM WHITE LED 3000K |
| D6F-120-NW | 120 DEGREE 21.5W NEUTRAL WHITE LED 4000K |
| D6F-120-CW | 120 DEGREE 21.5W COOL WHITE LED 6000K |



D8 [50watt]

FIXED

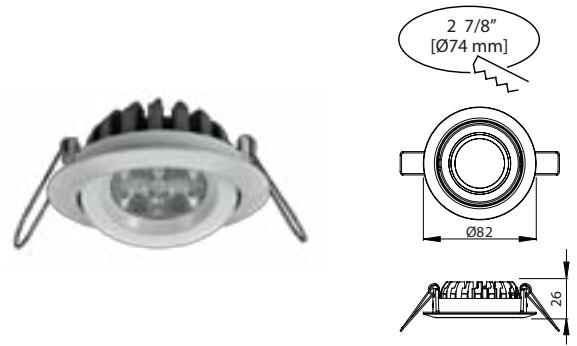
| | |
|------------|--|
| D8F-120-WW | 120 DEGREE 44W WARM WHITE LED 3000K |
| D8F-120-NW | 120 DEGREE 44W NEUTRAL WHITE LED 4000K |
| D8F-120-CW | 120 DEGREE 44W COOL WHITE LED 6000K |



TD16 [5 watt]

ADJUSTABLE

| | |
|-------------|-------------------------------|
| TD16A-38-WW | 38 DEGREE WARM WHITE 3000K |
| TD16A-60-WW | 60 DEGREE WARM WHITE 3000K |
| TD16A-38-NW | 38 DEGREE NEUTRAL WHITE 4000K |
| TD16A-60-NW | 60 DEGREE NEUTRAL WHITE 4000K |
| TD16A-38-CW | 38 DEGREE COOL WHITE 6000K |
| TD16A-60-CW | 60 DEGREE COOL WHITE 6000K |



TD20 [7 watt]

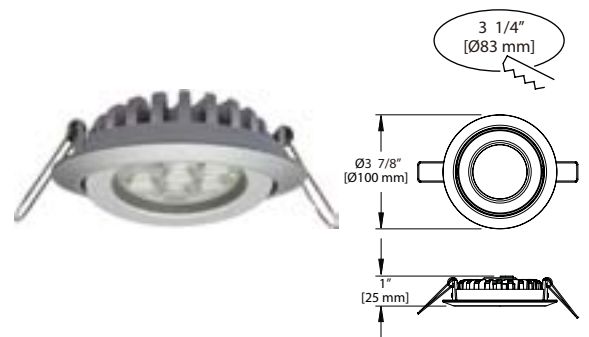
FIXED

| | |
|-------------|-------------------------------|
| TD20F-38-WW | 38 DEGREE WARM WHITE 3000K |
| TD20F-60-WW | 60 DEGREE WARM WHITE 3000K |
| TD20F-38-NW | 38 DEGREE NEUTRAL WHITE 4000K |
| TD20F-60-NW | 60 DEGREE NEUTRAL WHITE 4000K |
| TD20F-38-CW | 38 DEGREE COOL WHITE 6000K |
| TD20F-60-CW | 60 DEGREE COOL WHITE 6000K |



ADJUSTABLE

| | |
|-------------|-------------------------------|
| TD20A-38-WW | 38 DEGREE WARM WHITE 3000K |
| TD20A-60-WW | 60 DEGREE WARM WHITE 3000K |
| TD20A-38-NW | 38 DEGREE NEUTRAL WHITE 4000K |
| TD20A-60-NW | 60 DEGREE NEUTRAL WHITE 4000K |
| TD20A-38-CW | 38 DEGREE COOL WHITE 6000K |
| TD20A-60-CW | 60 DEGREE COOL WHITE 6000K |



AVAILABLE TRIM OPTIONS

DBA [Deep Baffle Recessed Kit – Round]

Add a prefix DBA for addition of 35mm deep baffle to 125mm D x 60mm H cutout 115mm

SPA [Square Trim Adaptor Kit]

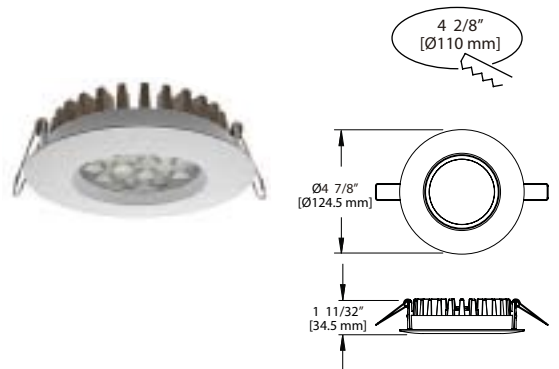
Add prefix SPA for addition of square trim adaptor to 120mm L x 120mm W



TD36 [15 watt]

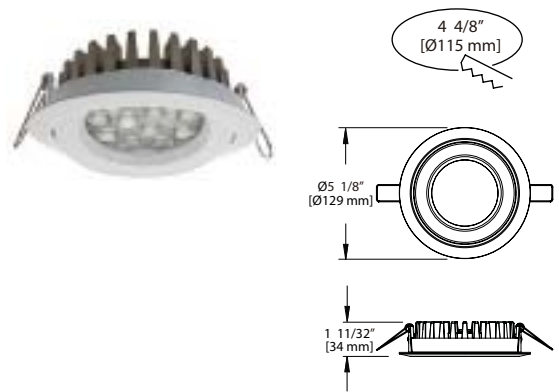
FIXED

- TD36F-38-WW 38 DEGREE WARM WHITE 3000K
- TD36F-60-WW 60 DEGREE WARM WHITE 3000K
- TD36F-38-NW 38 DEGREE NEUTRAL WHITE 4000K
- TD36F-60-NW 60 DEGREE NEUTRAL WHITE 4000K
- TD36F-38-CW 38 DEGREE COOL WHITE 6000K
- TD36F-60-CW 60 DEGREE COOL WHITE 6000K



ADJUSTABLE

- TD36A-38-WW 38 DEGREE WARM WHITE 3000K
- TD36A-60-WW 60 DEGREE WARM WHITE 3000K
- TD36A-38-NW 38 DEGREE NEUTRAL WHITE 4000K
- TD36A-60-NW 60 DEGREE NEUTRAL WHITE 4000K
- TD36A-38-CW 38 DEGREE COOL WHITE 6000K
- TD36A-60-CW 60 DEGREE COOL WHITE 6000K



AVAILABLE TRIM OPTIONS

DBA (Deep Baffle Recessed Kit – Round)

Add a prefix DBA for addition of 35mm deep baffle to TD36A
 155mm x D x 70mm x H cutout 145mm



SPA (Square Trim Adaptor Kit)

Add prefix SPA for addition of square trim adaptor to TD36A
 150mm L x 150mm W



38 DEGREE



60 DEGREE